

Problem Set

Reading a Blueprint

Bricklayers use blueprints and specifications to find out what materials to use and in what sequence to install them. You need to be able to determine exact dimensions and to read symbols and abbreviations.

Look at the blueprint and table of symbols on the following page.

50. What does the blueprint show?

51. What is the scale used in this drawing?

52. What do the symbols shown below mean?

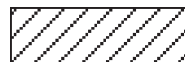
a)



b)



c)



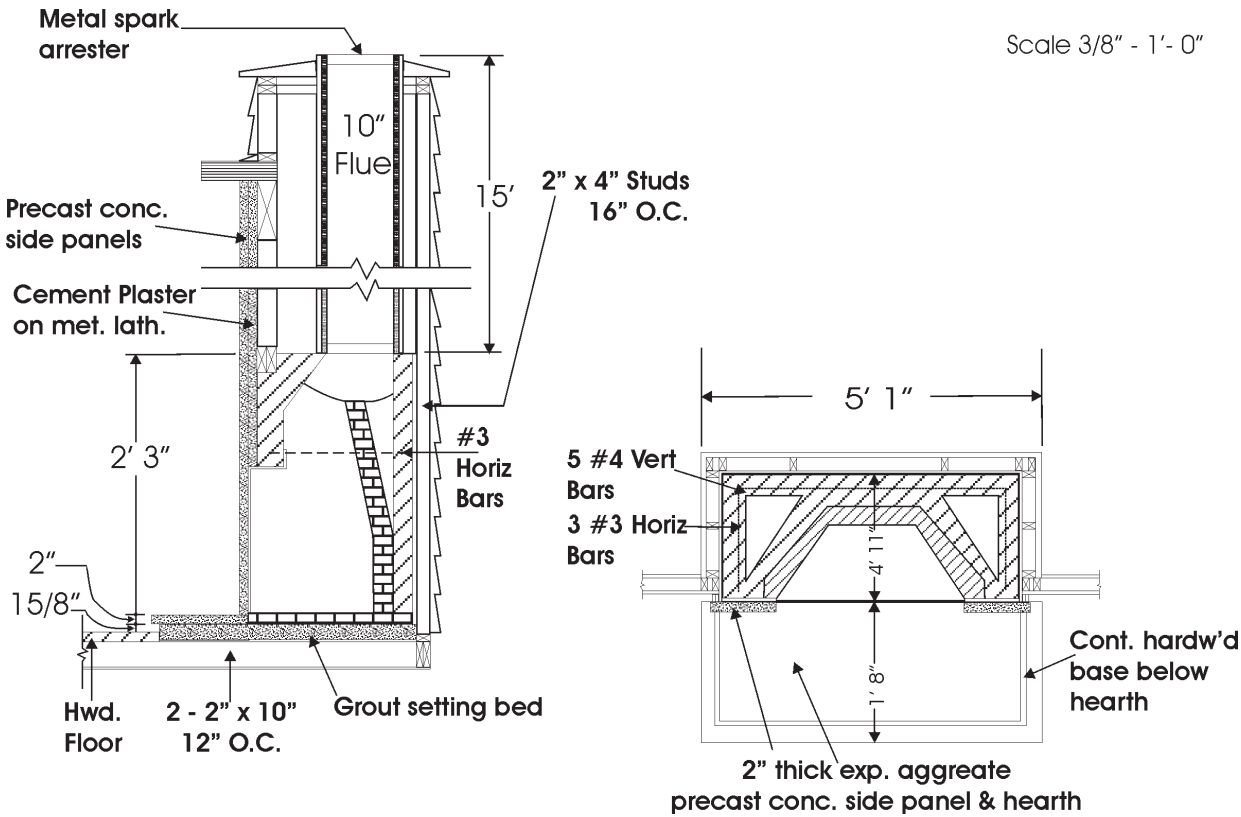
53. What is the purpose of the metal spark arrester on top of the chimney?

54. How thick is the aggregate precast concrete used on the hearth?

55. What is the length of the flue?

56. Give the outside dimensions, including the hearth of the fireplace.

Fireplace Section



Material	Plan	Section	Elevation
Common Brick			
Face Brick			
Cut Stone			
Concrete			
Concrete Block			
Wood	Floor areas left blank. Note indicates kind of wood used	Siding Panel	End of Board. Except Trim Trim